



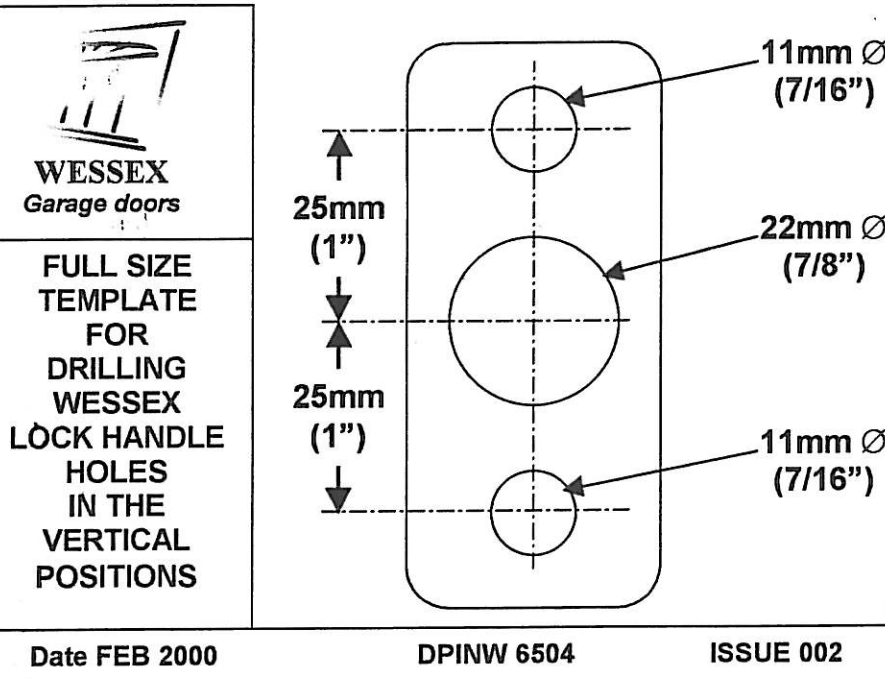
WESSEX doors

Bessemer Close, Ebblake Industrial Estate, Verwood, Wimborne, Dorset BH31 6AZ. T: 01202 825451. F: 01202 823242.

IMPORTANT

The external tee handle in this set of operating gear is to be fitted vertically. Drill holes as full size template below

On **NO** account are
The holes to be drilled
in a horizontal plane.



To fit the internal release handle, first make sure the external handle is locked in vertical position and lock spindle is cut flush with inside face of door. Remove all burrs and sharp corners from lock spindle. From inside garage LEFT HAND locking bar to be on top with internal handle pointing to the left. Position on to lock spindle. Unlock external handle and turn to uncover fixing screw positions. Fix screws and check operation of lock bars and locks

**PLEASE CHECK THE LOCKING ARRANGEMENT
BEFORE DRILLING THE FIXING HOLES IN DOOR**